



Desktop

Compact Welding Laser

High tech – packed in an attractive housing design with a small footprint – this makes the new Desktop laser outstanding. Smaller than ever and yet equipped with more power! The Desktop benefits from the innovative technology of its big brother, the Performance. Computer-controlled laser pulses and monitored cooling make it a very reliable tool. Everyday work processes are made comfortable thanks to easy handling and supportive weld assist systems. The modern housing design is tailor-made for shops with only little room available and at the same time provides a large working chamber.

FEATURES & BENEFITS

- ECOMode™
- Compact and modern housing design with small footprint
- Color TFT touch display
- TrueView™
- Easy set-up, automatic adjustment to power available 100 V / 230 V
- Leica microscope
- XE-Power™ version (optional) includes SPEEDmode™

APPLICATIONS

- Manual Laser Welding of Metals

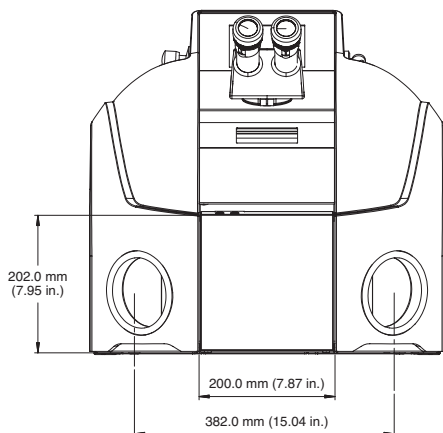


SPECIFICATIONS	Desktop	XE-Power
Nominal Power (W) (SPEEDmode)	60 (100)	80 (120)
Pulse Peak Power (kW)	8	8
Pulse Energy (J)	60	100
Pulse Frequency (Hz) (SPEEDmode)	single pulse 50 (100)	
Pulse Width (msec)	0.3 to 50	
Focal Diameter (mm)	0.3 to 2	
UTILITIES		
Electrical	110/230 V, 60/50 Hz, 16/13 A (single-phase)	
POWER CONSUMPTION		
Nominal Power (W)	1700	
Standby (W)	200	
ECOMode (W)	10	
MEASURES		
Dimensions (L x W x H)	754 x 521 x 505 mm (29.7 x 20.5 x 19.9 in.)	
Weight (approximate)	54 kg (119 lbs.)	
CONFIGURATION		
<ul style="list-style-type: none"> - Laser-safe housing with front flap - Leica stereo binocular - Color TFT touch screen - Parameter setting inside working chamber - Integrated water-air cooling with DI filter - Integrated exhaust fan - Connection for external exhaust unit - LED ring light - Process gas supply with flexible nozzle - ECOMode 		
OPTIONS		
XE-Power upgrade includes PLUS-Package (SPEEDmode, BURSTmode, RAMPmode)		

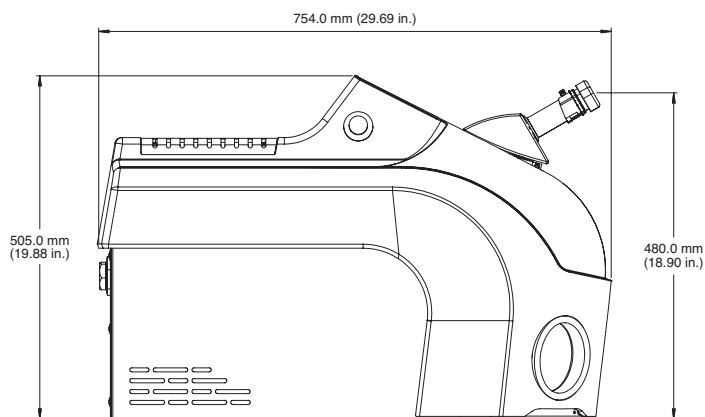
MECHANICAL SPECIFICATIONS

Desktop

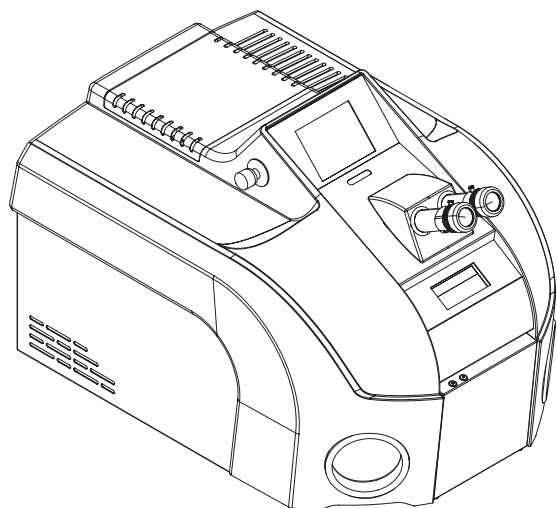
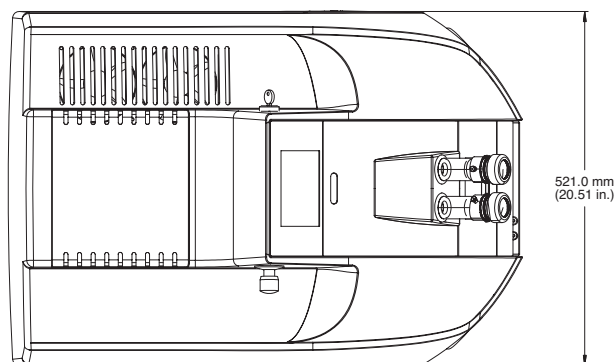
Front View



Side View



Top View



Coherent, Inc.,
 5100 Patrick Henry Drive Santa Clara, CA 95054
 p. (800) 527-3786 | (408) 764-4983
 f. (408) 764-4646

tech.sales@Coherent.com www.coherent.com

Coherent follows a policy of continuous product improvement. Specifications are subject to change without notice.
 Coherent offers a limited warranty for all Desktop Compact Welding Lasers. For full details of this warranty coverage, please refer to the Service section at www.Coherent.com or contact your local Sales or Service Representative.
 MC-XXX-18-0M0518 Copyright ©2018 Coherent, Inc.

